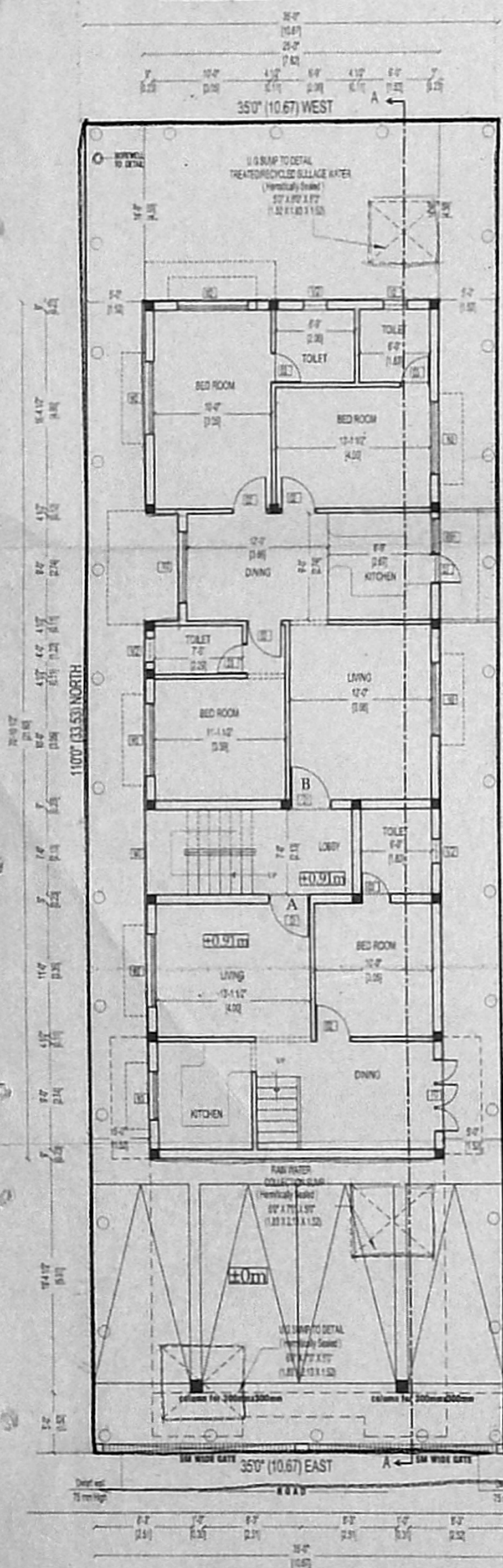
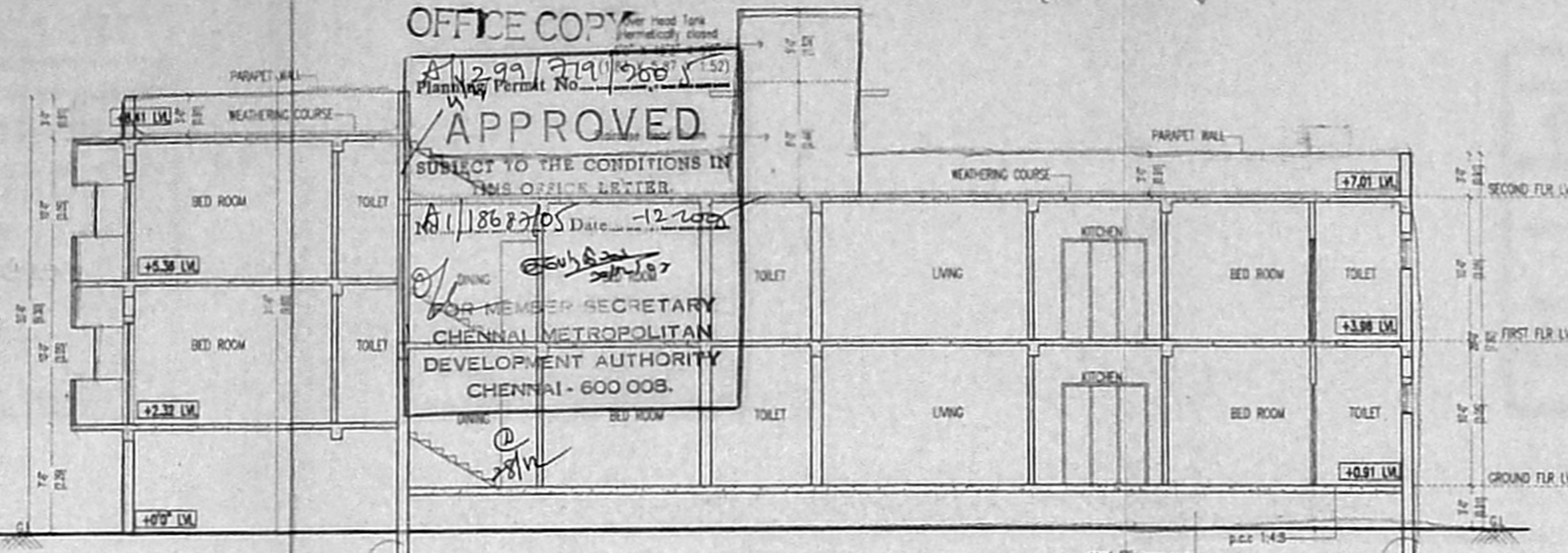


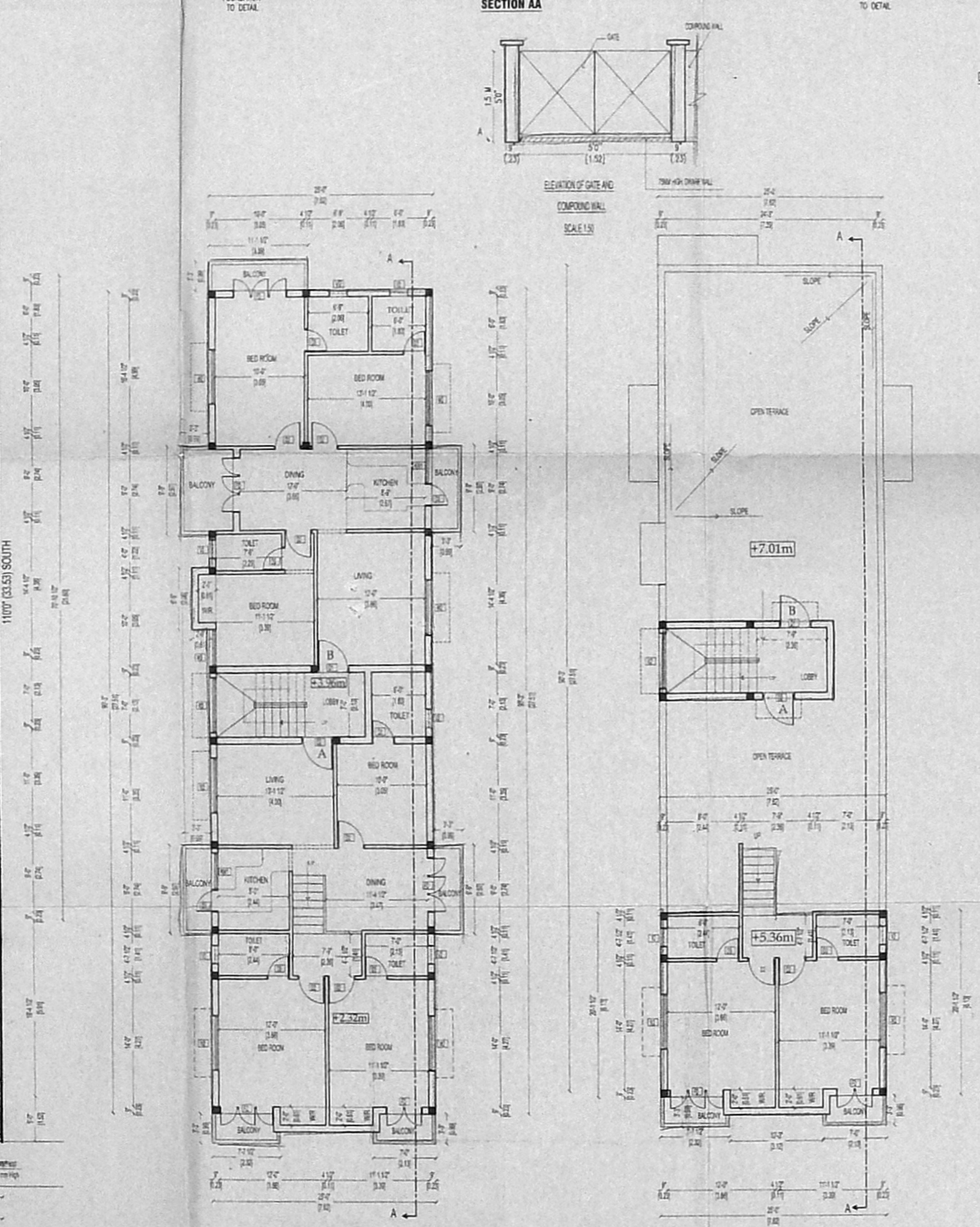
FRONT ELEVATION



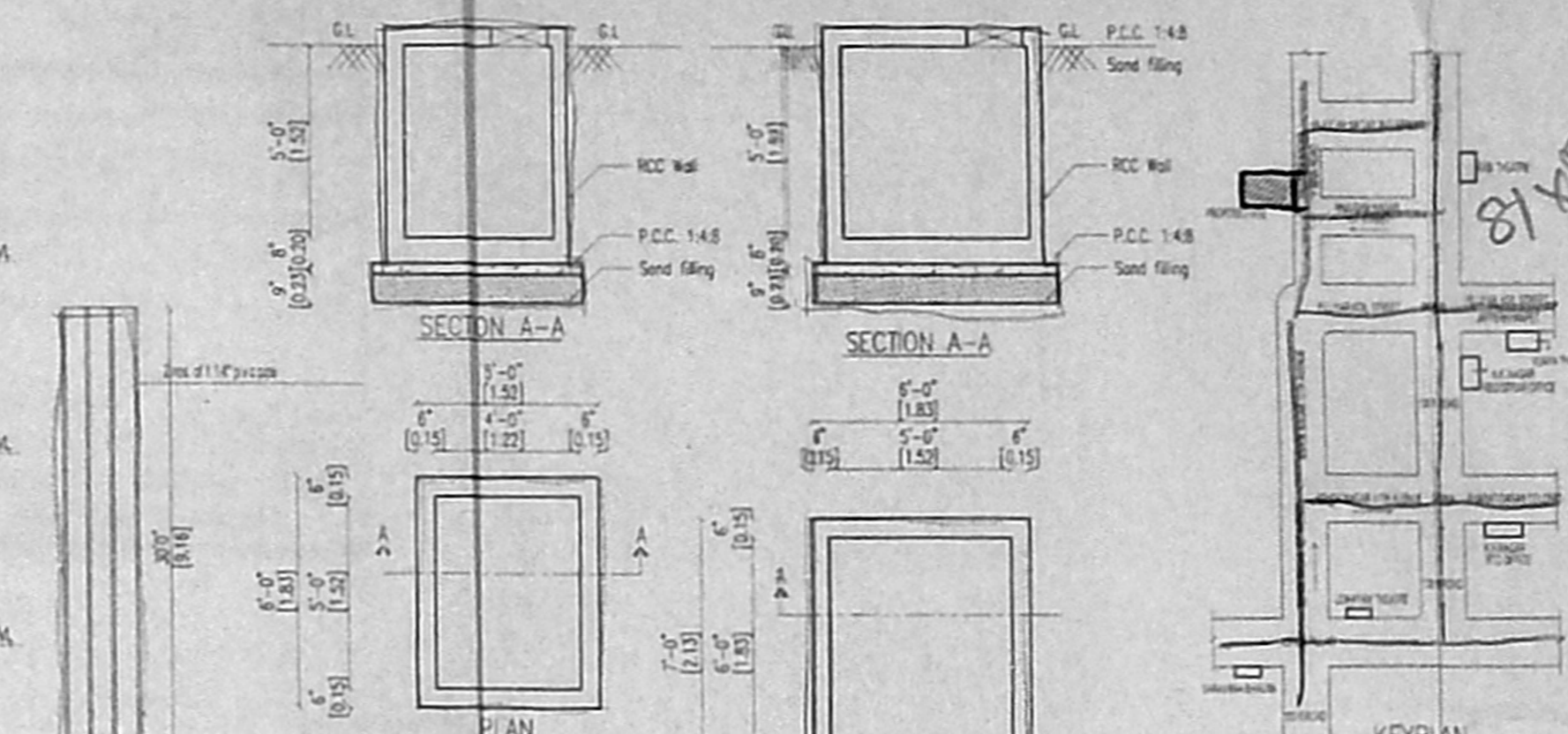
GROUND FLOOR CUM STILT FLOOR PLAN



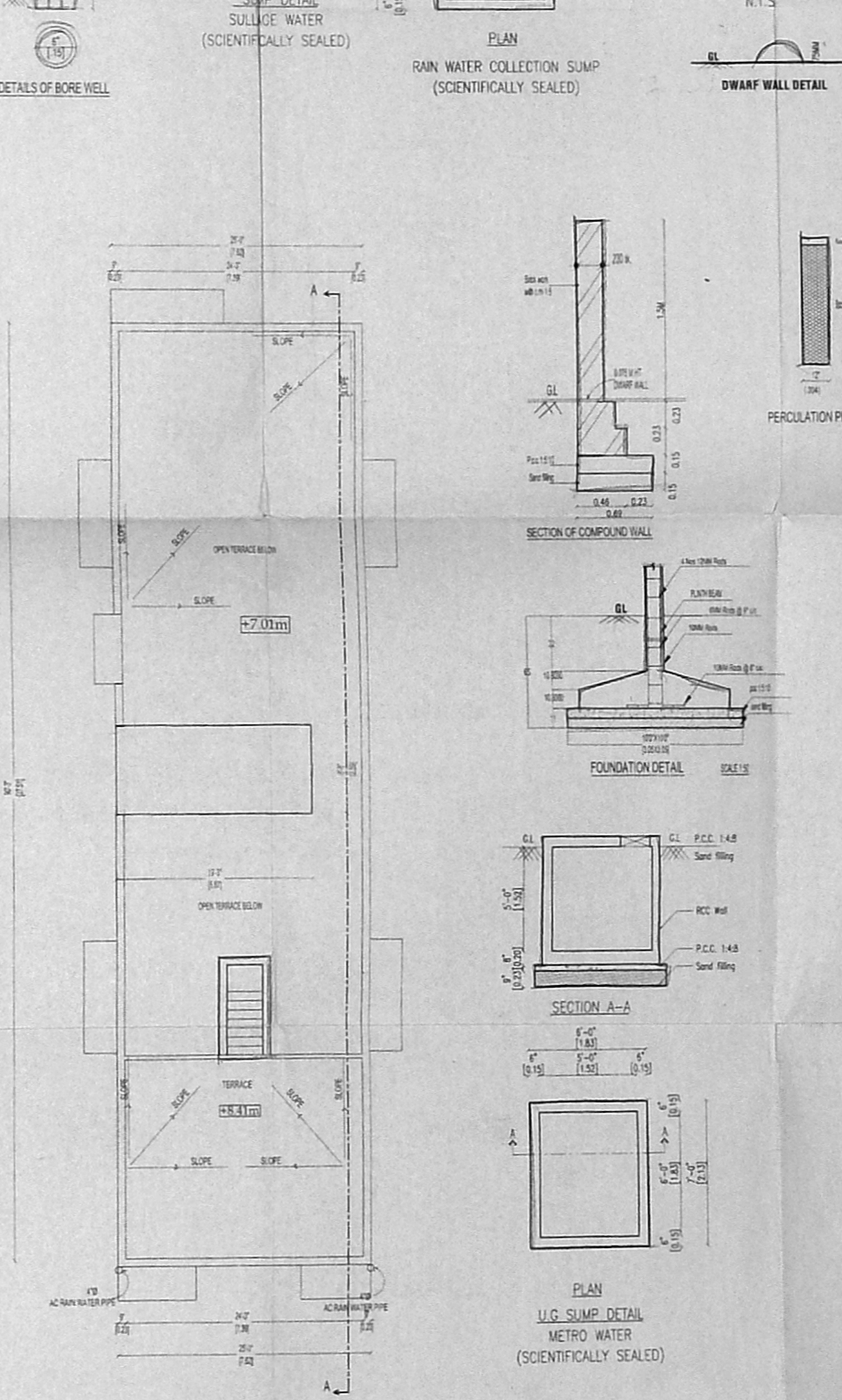
SECTION AA



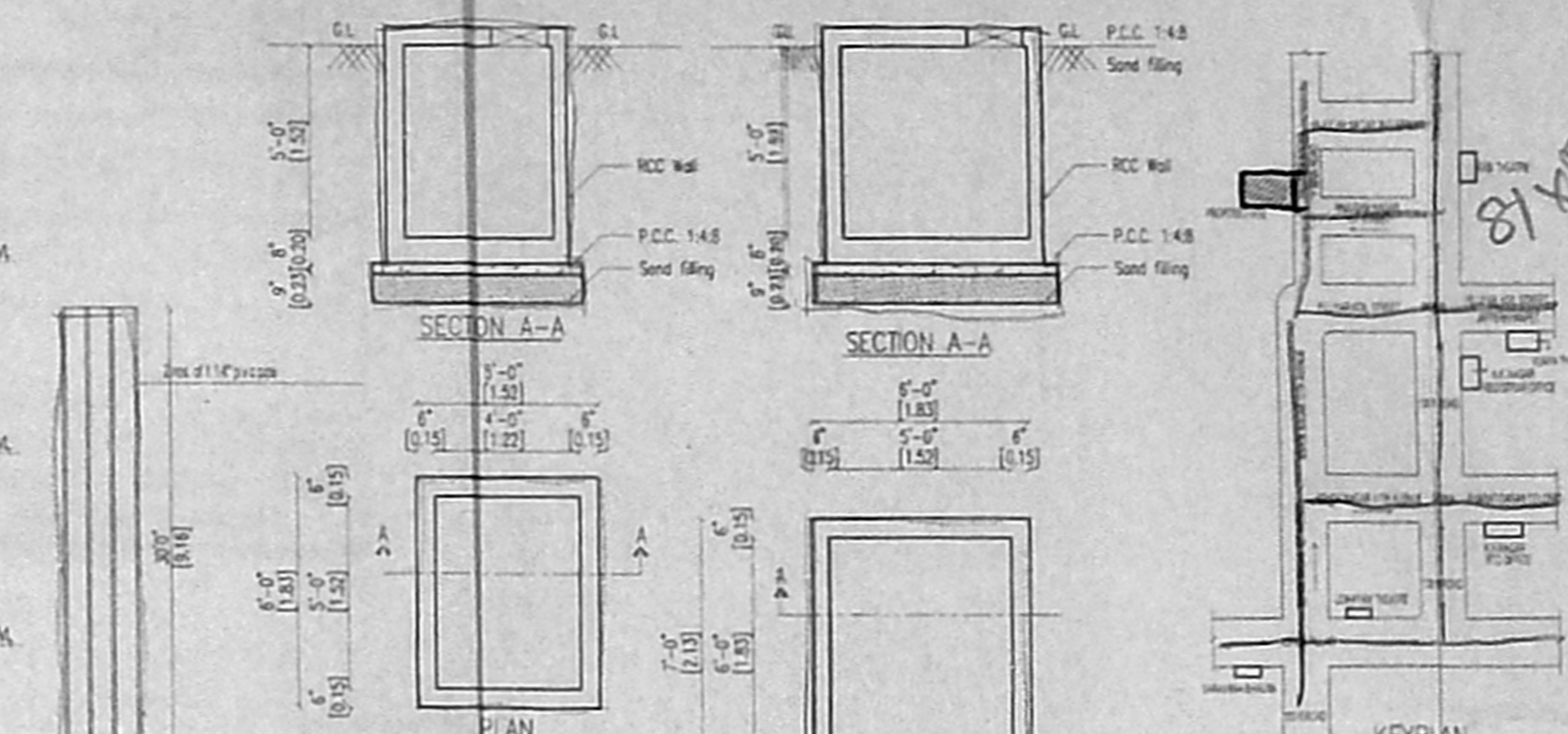
FIRST FLOOR PLAN



SECTION A-A



SECOND FLOOR PLAN (Part)



TERRACE FLOOR PLAN

OFFICE COPY
 Approved
 SUBJECT TO THE CONDITIONS IN
 THIS OFFICE LETTER
 No. 18627/05 Date: 12.12.2005
 FOR MEMBER SECRETARY
 CHENNAI METROPOLITAN
 DEVELOPMENT AUTHORITY
 CHENNAI - 600 008.

PLAN SHOWING THE PROPOSED RESIDENTIAL BUILDING AT DOOR NO.22, RS.NO.22/4, SURVEY NO. 261/2PART, AS PER TSLR EXTRACT T.S.NO.22/4 AND T.S.NO. 21 PT BK.NO.76, KODAMBAKKAM VILLAGE AND BEARING NO.12/2, PILLAYAR KOL STREET (ANJUGAM NAGAR IV ROAD), JAFFERKANNPET, KODAMBAKKAM, CHENNAI - 600 083.

CMDA SCHEDULE OF WORKSHEET

TYPE	DESCRIPTION	NO
1	Site Plan	01
2	Foundation Plan	02
3	Ground Floor Plan	03
4	First Floor Plan	04
5	Second Floor Plan	05
6	Terrace Plan	06
7	Section AA	07
8	Section A-A	08
9	Details of Bore Well	09
10	Rain Water Collection Sump	10
11	U.G. Sump Detail	11
12	Foundation Detail	12
13	Section of Compound Wall	13
14	Percolation Pit	14
15	Dwarf Wall Detail	15

SPECIFICATIONS

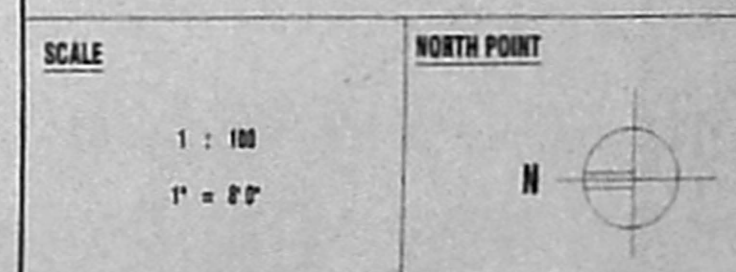
R.C.C IN 1:12 FOR COLUMN FOOTING COLUMN AND PLINTH BEAM.
 R.C.C IN 1:48 FOR FOUNDATION BASE AND FLOOR BASE.
 MOSAIC FLOOR FINISHING
 SUPERSTRUCTURE BRICK WORK IN CM 1:6 & 9" THK.
 R.C.C 1:12 FOR LINTEL, SUNSHADE ROOF SLAB BEAMS
 CEILING PLASTERING IN CM 1:3 AND 1:5 FOR WALLS.
 C WOOD DOORS AND WINDOWS
 2 COATS OF CEMENT PAINTING FOR WALLS AND CEILING
 2 COATS OF ENAMEL PAINTING FOR WOOD WORK
 PARAPET WALL IN B.W. 1.5" THK. 30' HT.
 WEATHERING COURSE IN B.U. CONC. OVER ROOF SLAB

AREA STATEMENT

S.NO.	DESCRIPTION	AREA (SQ. FT.)	AREA (SQ. M.)
1.	PLAT EXTENT	3850.00	353.87
2.	GROUND FLOOR AREA	1747.00	162.30
3.	GROUND FLOOR BECCAMABLE FLOOR PLAN	577.00	53.37
4.	FIRST FLOOR AREA	2200.00	204.80
5.	TOTAL	4824.00	448.18
6.	P.S.I.	1.25	
7.	PLAT COVERAGE	61.84%	

REFERENCE

PROPOSED	
ROAD	
BOUNDARY	



OWNER(S)

B. Anand
 M. Anand

LICENSED SURVEYOR

Palanivelu
 Palanivelu Diswanathan
 ARCHITECT AND INTERIOR DESIGNER
 C.A.N.O. / CA / 97 / 22319
 #97(31), K.P. KOIL STREET,
 SAIDAPET CHENNAI - 600 015.